

Volkswagen Amarok

HOOD GAS STRUTS KIT
Installation Instructions



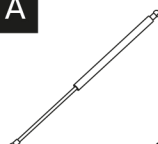
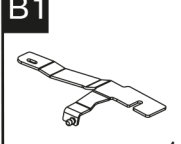
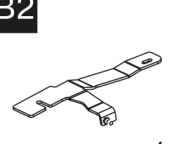
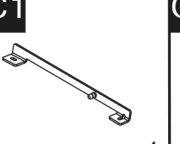
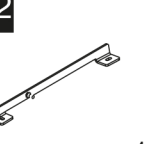
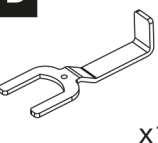

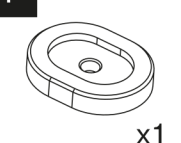
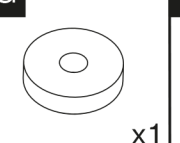
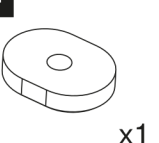
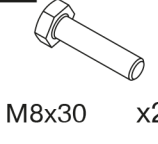
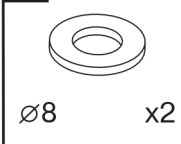
Model year: 2010-04.2017

Part No.: 2A.ST.5806.1

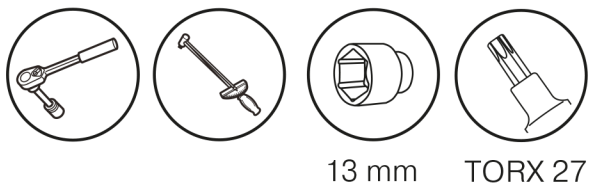
Compatibility: V 2.0

Weight: 1 kg

Installation time: 30 min

A  x2	B1  x1	B2  x1	C1  x1	C2  x1
D  x1	E  x1	F  x1	G  x1	H  x1
I  M8x30 x2	J  ø8 x2	Installation Instructions		

Required Tools



⚠ Attention!

Before installation of gas struts, open the hood and check that there is no additional equipment installed in engine bay which can block installation.

