

Toyota Hilux





TAILGATE STRUT KIT Installation Instructions



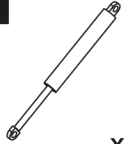
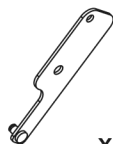








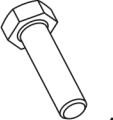

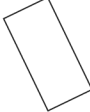
Model year: 2015 -2018; 2018-

Part No.: 2AB.ST.5705.1

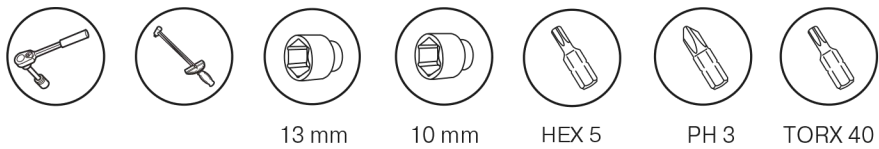
Weight:  1 kg

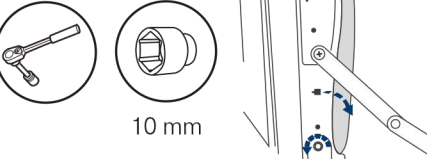
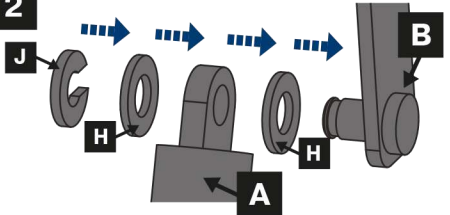
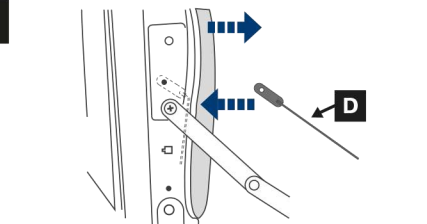
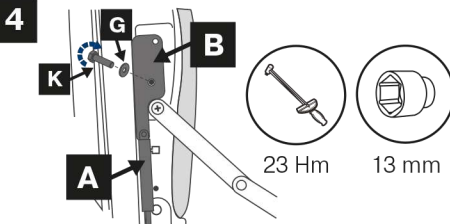
Installation time:  30 min

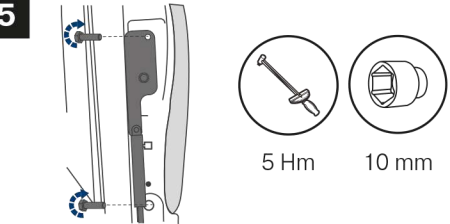
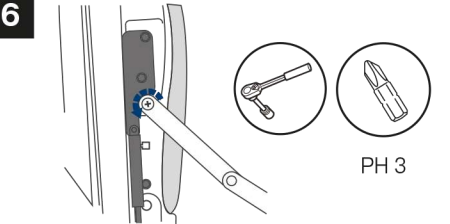
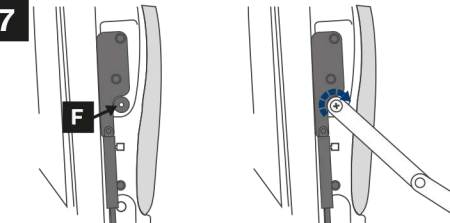
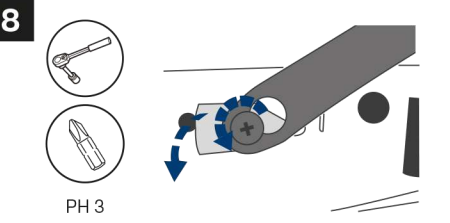
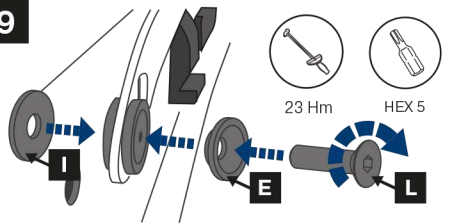
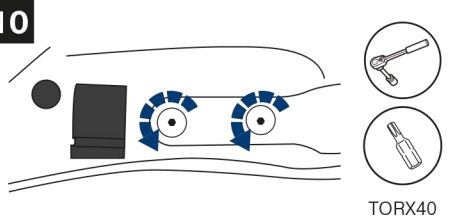
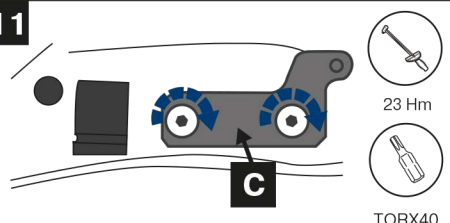
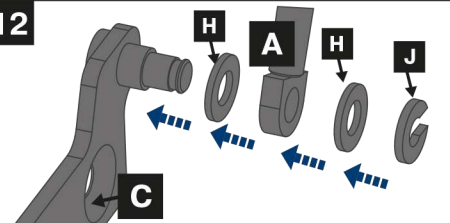
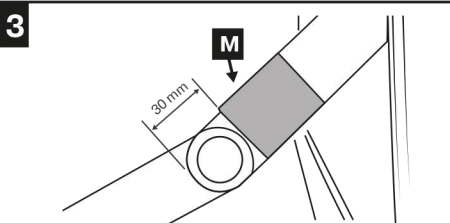


A  x1	B  x1	C  x1	D  x1	E  x1
F  x1	G  x1	H  x4	I  x1	J  x2
K  x1	L  x1	M  x1	Installation Instructions	

Required Tools



1  10 mm	2 
3 	4  23 Hm 13 mm

5  5 Hm 10 mm	6  PH 3
7 	8  PH 3
9  23 Hm HEX 5	10  TORX40
11  23 Hm TORX40	12 
13  30 mm	